

DATA SHEET

TDA3617 Multiple voltage regulator

Product specification
Supersedes data of 2002 Sep 16

2002 Sep 20

Multiple voltage regulator

TDA3617

FEATURES

General

- Three V_P -state controlled regulators (regulators 1, 2 and 3)
- Very good stability and noise behaviour
- Separate control pins for switching regulators 1, 2 and 3
- Supply voltage range from -18 to $+50$ V
- Low quiescent current (when regulators 1, 2 and 3 are switched off)
- High ripple rejection
- Hold output for indicating regulator 1 and/or 2 and/or 3 out-of-regulation.

Protections

- Reverse polarity safe (down to -18 V without high reverse current)
- Able to withstand voltages up to 18 V at the outputs (supply line may be short circuited)
- ESD protection on all pins

- Thermal protection
- Load dump protection
- Foldback current limit protection for regulators 1, 2 and 3
- DC short-circuit safe to ground and V_P for all regulator outputs.

GENERAL DESCRIPTION

The TDA3617 is a multiple output voltage regulator with three independent regulators. It contains:

1. Three fixed voltage regulators with foldback current protection (regulators 1, 2 and 3)
2. A supply pin that can withstand load dump pulses and negative supply voltages
3. Independent enable inputs for regulators 1, 2 and 3
4. Local temperature protection for regulator 3
5. A hold output that can be used to interface with a microprocessor. The hold indicates that the selected output voltages are available and within their ranges.

QUICK REFERENCE DATA

SYMBOL	PARAMETER	CONDITIONS	MIN.	TYP.	MAX.	UNIT
Supply						
V_P	supply voltage operating		9.5	14.4	17.5	V
	jump start	$t \leq 10$ minutes	–	–	30	V
	load dump protection	for 50 ms; $t_r \geq 2.5$ ms	–	–	50	V
$I_{q(\text{tot})}$	total quiescent current	standby mode	–	5	40	μA
T_j	junction temperature		–	–	175	$^{\circ}\text{C}$
Voltage regulators						
V_{REG1}	output voltage regulator 1	$1 \text{ mA} \leq I_{\text{REG1}} \leq 1.3 \text{ A}$	8.55	9.0	9.45	V
V_{REG2}	output voltage regulator 2	$1 \text{ mA} \leq I_{\text{REG2}} \leq 600 \text{ mA}$	4.75	5.0	5.25	V
V_{REG3}	output voltage regulator 3	$1 \text{ mA} \leq I_{\text{REG3}} \leq 300 \text{ mA}$	3.14	3.3	3.46	V

ORDERING INFORMATION

TYPE NUMBER	PACKAGE		
	NAME	DESCRIPTION	VERSION
TDA3617J	DBS9P	plastic DIL-bent-SIL power package; 9 leads (lead length 12 mm)	SOT157-2

Multiple voltage regulator

TDA3617

BLOCK DIAGRAM

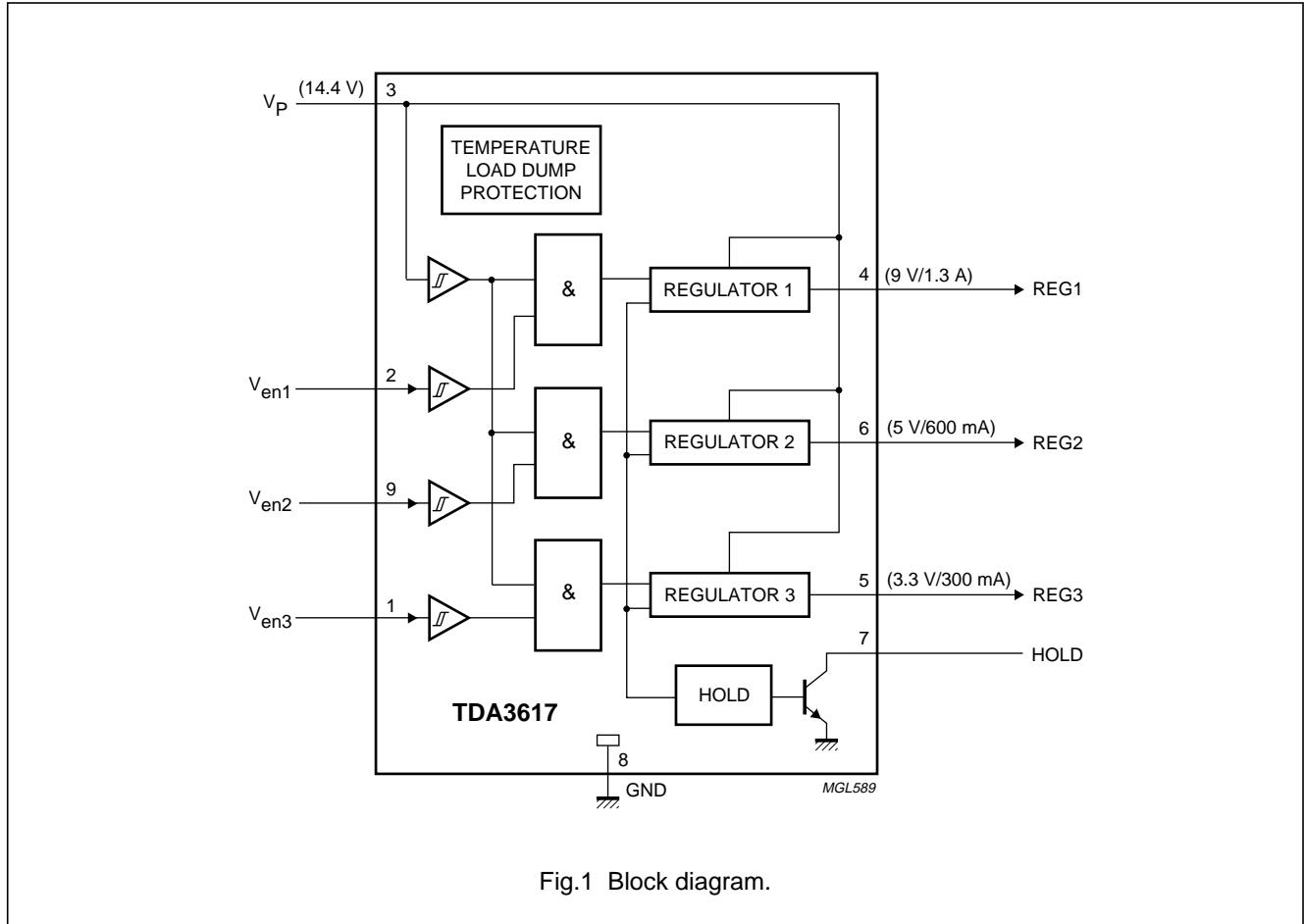


Fig.1 Block diagram.

PINNING

SYMBOL	PIN	DESCRIPTION
V _{en3}	1	enable regulator 3 input
V _{en1}	2	enable regulator 1 input
V _P	3	supply voltage
REG1	4	regulator 1 output
REG3	5	regulator 3 output
REG2	6	regulator 2 output
HOLD	7	hold output
GND	8	ground
V _{en2}	9	enable regulator 2 input

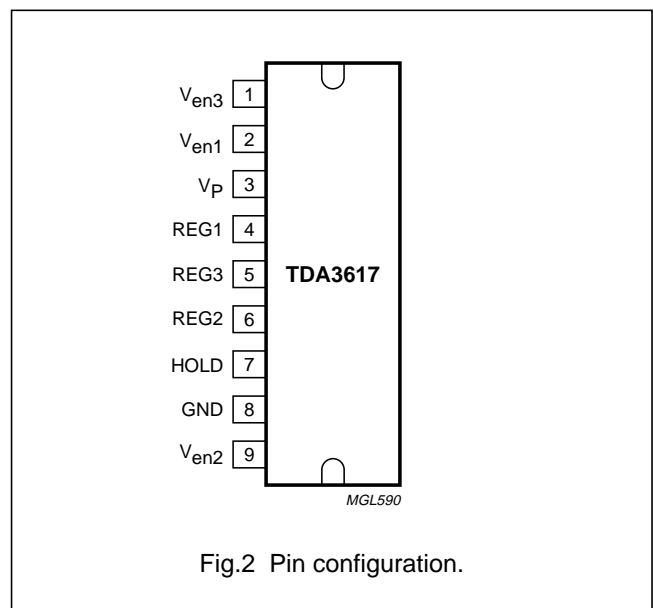


Fig.2 Pin configuration.

Multiple voltage regulator

TDA3617

FUNCTIONAL DESCRIPTION

The TDA3617 is a multiple output voltage regulator with three independent switchable regulators. When the supply voltage is available ($V_P > 4.5\text{ V}$), regulators 1, 2 and 3 can be operated by means of three independent enable inputs.

Schmitt trigger functions are included to switch the regulators off at low battery voltage ($V_P < 4\text{ V}$). A hysteresis is included to avoid random switching.

All output pins are fully protected. The regulators are protected against load dump (the regulators switch off at $V_P > 20\text{ V}$) and short circuit (foldback current protection).

The TDA3617 has a hold circuit which indicates when one of the regulators is out-of-regulation. The hold function is disabled when all the enable inputs are LOW (TDA3617 in standby mode). The HOLD output (open-collector output) can be wired OR-ed with other hold outputs of other regulator parts (e.g. TDA3618). When all the regulators of the TDA3617 are disabled (switched off), the HOLD output will be high ohmic. Because of this feature, the hold will not influence the hold information when wired OR-ed with other regulator parts.

Figure 3 shows the total timing of a semi-on/off logic set. Figure 4 shows the total timing of the HOLD signal.

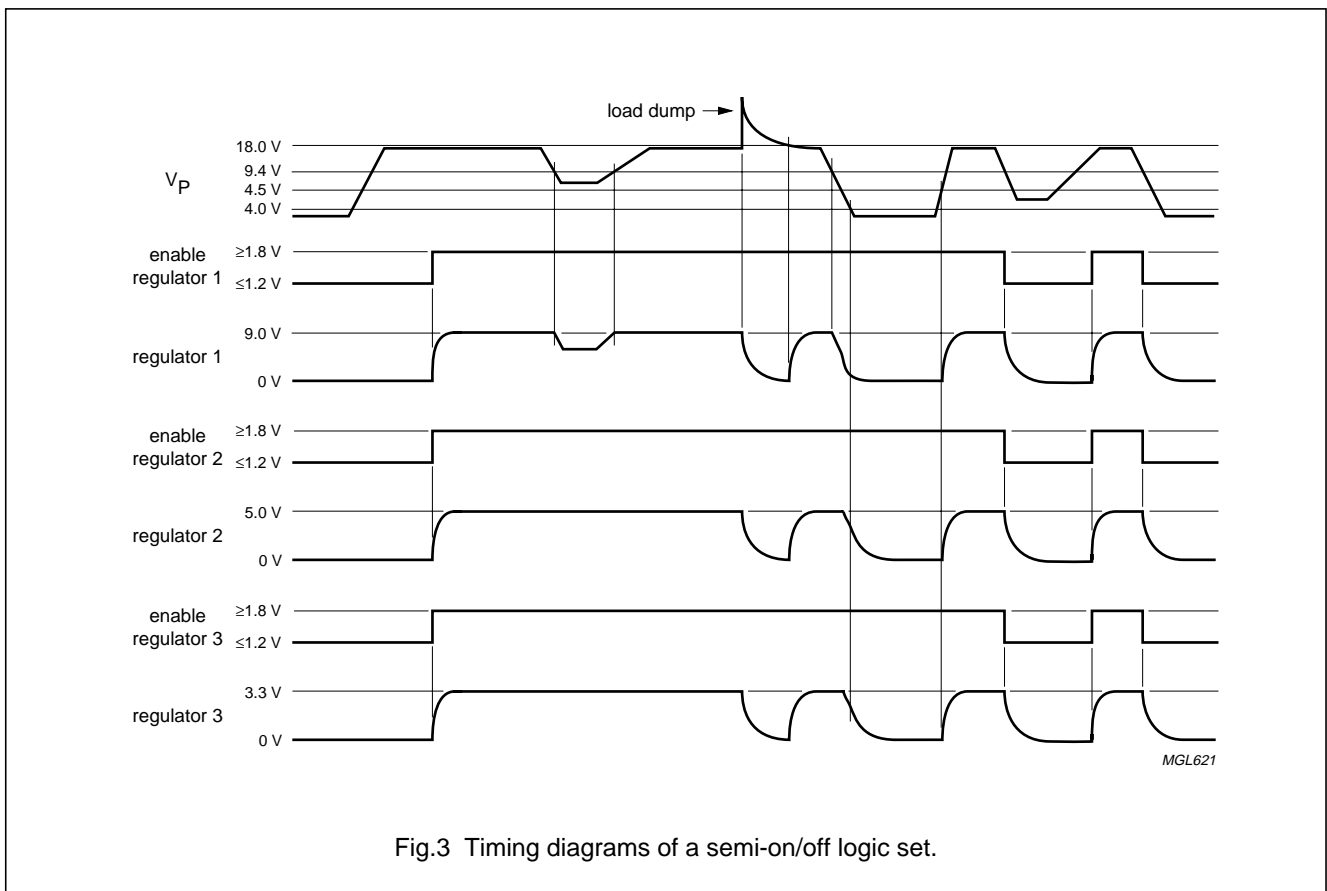


Fig.3 Timing diagrams of a semi-on/off logic set.

Multiple voltage regulator

TDA3617

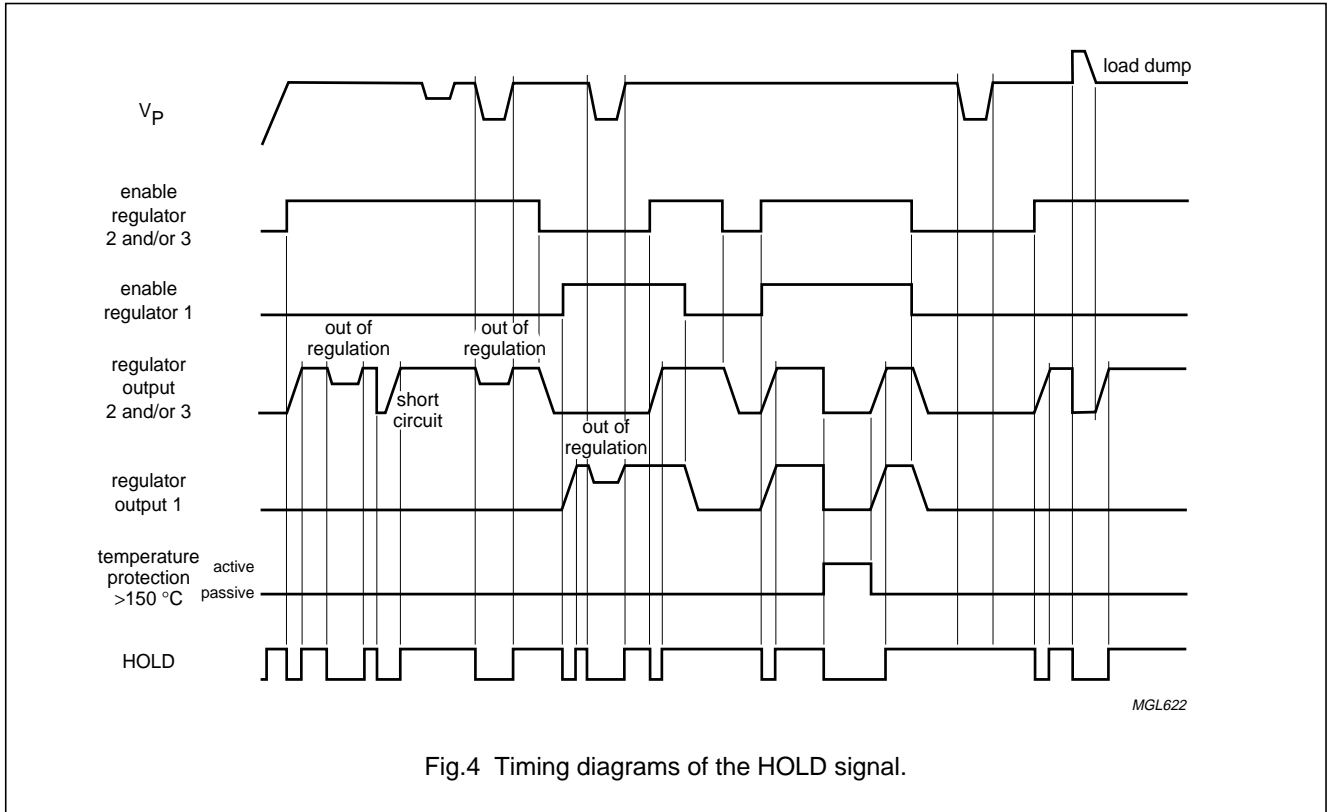


Fig.4 Timing diagrams of the HOLD signal.

LIMITING VALUES

In accordance with the Absolute Maximum Rating System (IEC 60134).

SYMBOL	PARAMETER	CONDITIONS	MIN.	MAX.	UNIT
V _P	supply voltage operating		-	17.5	V
	jump start	t ≤ 10 minutes	-	30	V
	load dump protection	for 50 ms; t _r ≥ 2.5 ms	-	50	V
V _{bat(rp)}	reverse polarity battery voltage	non-operating	-	-18	V
P _{tot}	total power dissipation		-	62	W
T _{stg}	storage temperature	non-operating	-55	+150	°C
T _{amb}	ambient temperature	operating	-40	+85	°C
T _j	junction temperature	operating	-	175	°C

THERMAL CHARACTERISTICS

SYMBOL	PARAMETER	CONDITIONS	VALUE	UNIT
R _{th(j-c)}	thermal resistance from junction to case		2	K/W
R _{th(j-a)}	thermal resistance from junction to ambient	in free air	50	K/W

QUALITY SPECIFICATION

In accordance with "SNW-FQ-611-E".

Multiple voltage regulator

TDA3617

CHARACTERISTICS $V_P = 14.4\text{ V}$; $T_{\text{amb}} = 25\text{ °C}$; measured in test circuit of Fig.6; unless otherwise specified.

SYMBOL	PARAMETER	CONDITIONS	MIN.	TYP.	MAX.	UNIT
Supplies						
V_P	supply voltage		9.5	14.4	17.5	V
	operating regulators on	note 1	6	–	–	V
	jump start	$t \leq 10$ minutes	–	–	30	V
	load dump protection	for 50 ms; $t_r \geq 2.5$ ms	–	–	50	V
$I_{q(\text{tot})}$	total quiescent current	$V_P = 12.4\text{ V}$; note 2	–	5	40	μA
		$V_P = 14.4\text{ V}$; note 2	–	5	–	μA
Power supply Schmitt trigger for regulators 1, 2 and 3						
V_{thr}	rising voltage threshold	$V_{\text{en}} = 3\text{ V}$	6.2	6.8	7.5	V
V_{thf}	falling voltage threshold	$V_{\text{en}} = 3\text{ V}$	4.0	4.5	5.0	V
V_{hys}	hysteresis		1.5	2.3	3.0	V
Enable input (regulators 1, 2 and 3)						
$V_{i(\text{off})}$	off-level input voltage		–0.2		+1.2	V
$V_{i(\text{on})}$	on-level input voltage		–	1.8	–	V
I_{LI}	input leakage current	$V_{\text{en}} = 5\text{ V}$	5	30	50	μA
Hold buffer						
I_{sinkL}	LOW-level sink current	$V_{\text{HOLD}} \leq 0.8\text{ V}$	2	–	–	mA
I_{LO}	output leakage current	$V_{\text{HOLD}} = 5\text{ V}$	–	0	5	μA
Regulator 1 ($I_{\text{REG1}} = 5\text{ mA}$)						
$V_{\text{REG1}(\text{off})}$	output voltage regulator off		–	1	400	mV
V_{REG1}	output voltage	$1\text{ mA} \leq I_{\text{REG1}} \leq 1.3\text{ A}$	8.55	9.0	9.45	V
		$10.5\text{ V} \leq V_P \leq 17.5\text{ V}$	8.55	9.0	9.45	V
ΔV_{REG1}	line regulation	$10.5\text{ V} \leq V_P \leq 17.5\text{ V}$	–	20	50	mV
ΔV_{REGL1}	load regulation	$1\text{ mA} \leq I_{\text{REG1}} \leq 1.3\text{ A}$	–	35	70	mV
$I_{q\text{REG1}}$	quiescent current	$I_{\text{REG1}} = 1.3\text{ A}$	–	45	110	mA
SVRR1	supply voltage ripple rejection	$f = 3\text{ kHz}$; $V_i = 2\text{ V}$ (p-p)	60	70	–	dB
V_{REG1d}	drop-out voltage	$I_{\text{REG1}} = 1.3\text{ A}$; note 3	–	0.5	1	V
I_{REG1m}	current limit	$V_{\text{REG1}} > 7.5\text{ V}$; note 4	1.3	1.4	–	A
I_{REG1sc}	short-circuit current	$R_L \leq 0.5\ \Omega$; note 5	250	500	–	mA
α_{ct}	cross talk noise	note 6	–	25	150	μV
Schmitt trigger for hold of regulator 1						
V_{thr}	rising threshold voltage of regulator 1	V_P rising	–	$V_{\text{REG1}} - 0.15$	$V_{\text{REG1}} - 0.075$	V
V_{thf}	falling threshold voltage of regulator 1	V_P falling	8.1	$V_{\text{REG1}} - 0.35$	–	V
V_{hys}	hysteresis voltage		0.1	0.2	0.3	V

Multiple voltage regulator

TDA3617

SYMBOL	PARAMETER	CONDITIONS	MIN.	TYP.	MAX.	UNIT
Regulator 2 ($I_{REG2} = 5 \text{ mA}$)						
$V_{REG2(off)}$	output voltage regulator off		–	1	400	mV
V_{REG2}	output voltage	$1 \text{ mA} \leq I_{REG2} \leq 600 \text{ mA}$	4.75	5.0	5.25	V
		$8 \text{ V} \leq V_P \leq 17.5 \text{ V}$	4.75	5.0	5.25	V
ΔV_{REG2}	line regulation	$8 \text{ V} \leq V_P \leq 17.5 \text{ V}$	–	2	50	mV
ΔV_{REGL2}	load regulation	$1 \text{ mA} \leq I_{REG2} \leq 600 \text{ mA}$	–	20	85	mV
I_{qREG2}	quiescent current	$I_{REG2} = 0.4 \text{ A}$	–	10	40	mA
SVRR2	supply voltage ripple rejection	$f = 3 \text{ kHz}; V_i = 2 \text{ V (p-p)}$	60	70	–	dB
V_{REG2d}	drop-out voltage	$I_{REG2} = 600 \text{ mA}; V_P = 6 \text{ V};$ note 3	–	1	1.5	V
I_{REG2m}	current limit	$V_{REG2} > 4 \text{ V};$ note 4	0.65	0.8	–	A
I_{REG2sc}	short-circuit current	$R_L \leq 0.5 \Omega;$ note 5	100	300	–	mA
α_{ct}	cross talk noise	note 6	–	25	150	μV
Schmitt trigger for hold of regulator 2						
V_{thr}	rising threshold voltage of regulator 2	V_P rising	–	$V_{REG2} - 0.15$	$V_{REG2} - 0.075$	V
V_{thf}	falling threshold voltage of regulator 2	V_P falling	4.3	$V_{REG2} - 0.35$	–	V
V_{hys}	hysteresis voltage		0.1	0.2	0.3	V
Regulator 3 ($I_{REG3} = 5 \text{ mA}$)						
$V_{REG3(off)}$	output voltage regulator off		–	1	400	mV
V_{REG3}	output voltage	$1 \text{ mA} \leq I_{REG3} \leq 300 \text{ mA}$	3.14	3.3	3.46	V
		$5 \text{ V} \leq V_P \leq 17.5 \text{ V}$	3.14	3.3	3.46	V
ΔV_{REG3}	line regulation	$5 \text{ V} \leq V_P \leq 17.5 \text{ V}$	–	2	50	mV
ΔV_{REGL3}	load regulation	$1 \text{ mA} \leq I_{REG3} \leq 300 \text{ mA}$	–	20	50	mV
I_{qREG3}	quiescent current	$I_{REG3} = 300 \text{ mA}$	–	10	15	mA
SVRR3	supply voltage ripple rejection	$f = 3 \text{ kHz}; V_i = 2 \text{ V (p-p)}$	60	70	–	dB
I_{REG3m}	current limit	$V_{REG3} > 3 \text{ V};$ note 4	0.35	0.45	–	A
I_{REG3sc}	short circuit current	$R_L \leq 0.5 \Omega;$ note 5	15	50	–	mA
α_{ct}	cross talk noise	note 6	–	25	150	μV
Schmitt trigger for hold of regulator 3						
V_{thr}	rising threshold voltage of regulator 3	V_P rising	–	$V_{REG3} - 0.15$	$V_{REG3} - 0.075$	V
V_{thf}	falling threshold voltage of regulator 2	V_P falling	2.7	$V_{REG3} - 0.35$	–	V
V_{hys}	hysteresis voltage		0.1	0.2	0.3	V

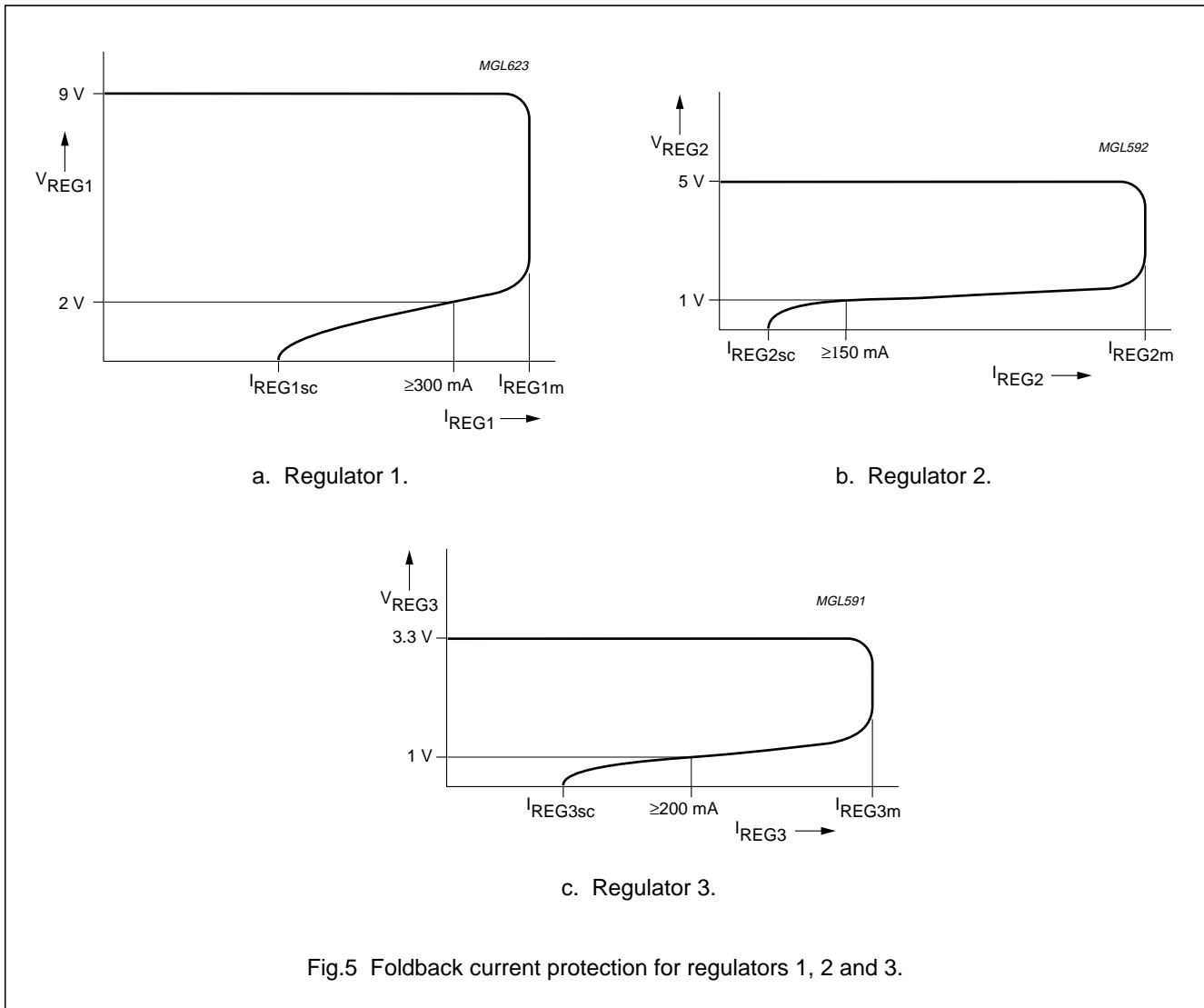
Notes

1. Minimum operating voltage, only if V_P has exceeded 4.5 V.

Multiple voltage regulator

TDA3617

- 2. The quiescent current is measured in the standby mode. Therefore, the enable inputs of regulators 1, 2 and 3 are LOW ($V_{en} < 1\text{ V}$).
- 3. The drop-out voltage of regulators 1 and 2 is measured between V_P and V_{REG1} or V_{REG2} respectively.
- 4. At current limit, I_{REGmn} is held constant (see Fig.5 for the behaviour of I_{REGmn}).
- 5. The foldback current protection limits the dissipated power at short circuit (see Fig.5).
- 6. Perform the load regulation test with sine wave load of 10 kHz on the regulator output under test. Measure the RMS ripple voltage on each of the remaining regulator outputs, using a 80 kHz low-pass filter.

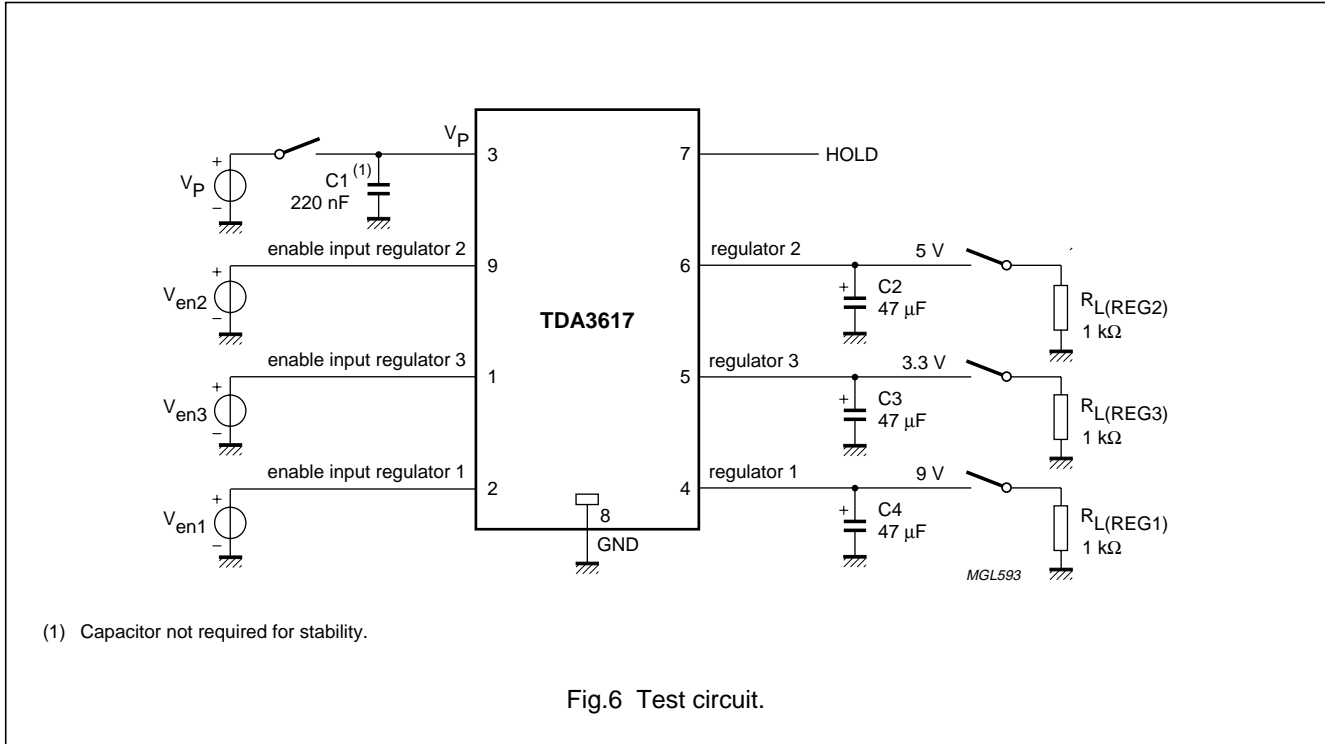


Multiple voltage regulator

TDA3617

TEST AND APPLICATION INFORMATION

Test information



Application information

NOISE

Table 1 Noise figures

REGULATOR	NOISE FIGURE (μV) ⁽¹⁾		
	$C_o = 10 \mu\text{F}$	$C_o = 47 \mu\text{F}$	$C_o = 100 \mu\text{F}$
1	190	170	140
2	120	110	80
3	100	90	70

Note

- 1. Measured at a bandwidth of 200 kHz.

The noise on the supply line depends on the value of the supply capacitor and is caused by a current noise (output noise of the regulators is translated to a current noise by means of the output capacitors). The noise is minimum when a high frequency capacitor of 220 nF in parallel with an electrolytic capacitor of 100 μF is connected directly to pins 3 and 8 (supply and ground).

STABILITY

The regulators are stabilized with the externally connected output capacitors. The value of the output capacitors can be selected by referring to the graph illustrated in Fig.7.

When an electrolytic capacitor is used, its temperature behaviour can cause oscillations at $T_{\text{amb}} < -20 \text{ }^\circ\text{C}$. In this case, use a tantalum capacitor.

The two examples on the next page show how an output capacitor value is selected.

Multiple voltage regulator

TDA3617

Example 1

Regulators 1, 2 and 3 are stabilized with an electrolytic output capacitor of 220 μF (ESR = 0.15 Ω).

At $T_{\text{amb}} = -30\text{ }^{\circ}\text{C}$ the capacitor value is decreased to 73 μF and the ESR is increased to 1.1 Ω . The regulator will remain stable at $T_{\text{amb}} = -30\text{ }^{\circ}\text{C}$.

Example 2

Regulators 1, 2 and 3 are stabilized with an electrolytic output capacitor of 10 μF (ESR = 3.18 Ω).

At $T_{\text{amb}} = -30\text{ }^{\circ}\text{C}$ the capacitor value is decreased to 3.3 μF and the ESR is increased to 23 Ω . The regulator will be unstable at $T_{\text{amb}} = -30\text{ }^{\circ}\text{C}$.

Solution

Use a 47 nF HF capacitor in parallel with the output electrolytic output capacitor. As can be seen from the graph in Fig.7, the regulators will remain stable with an output capacitor of 47 nF onwards. The electrolytic output capacitor is only needed to minimize the output noise.

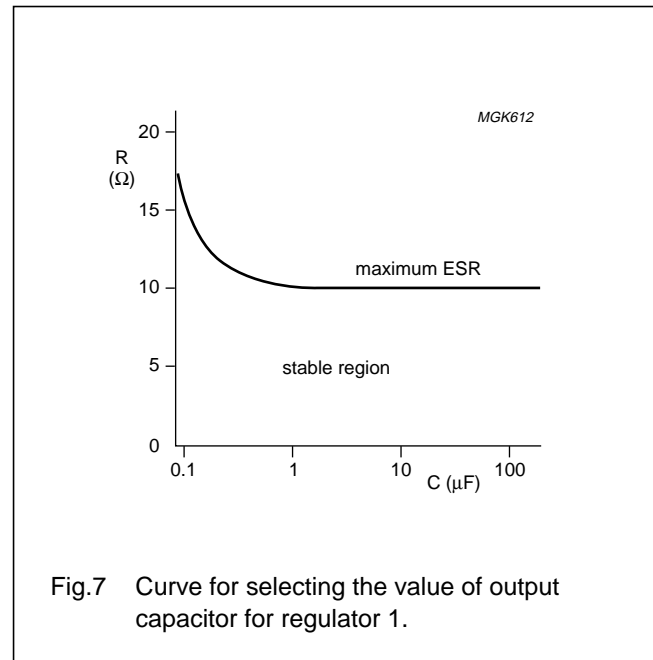


Fig.7 Curve for selecting the value of output capacitor for regulator 1.

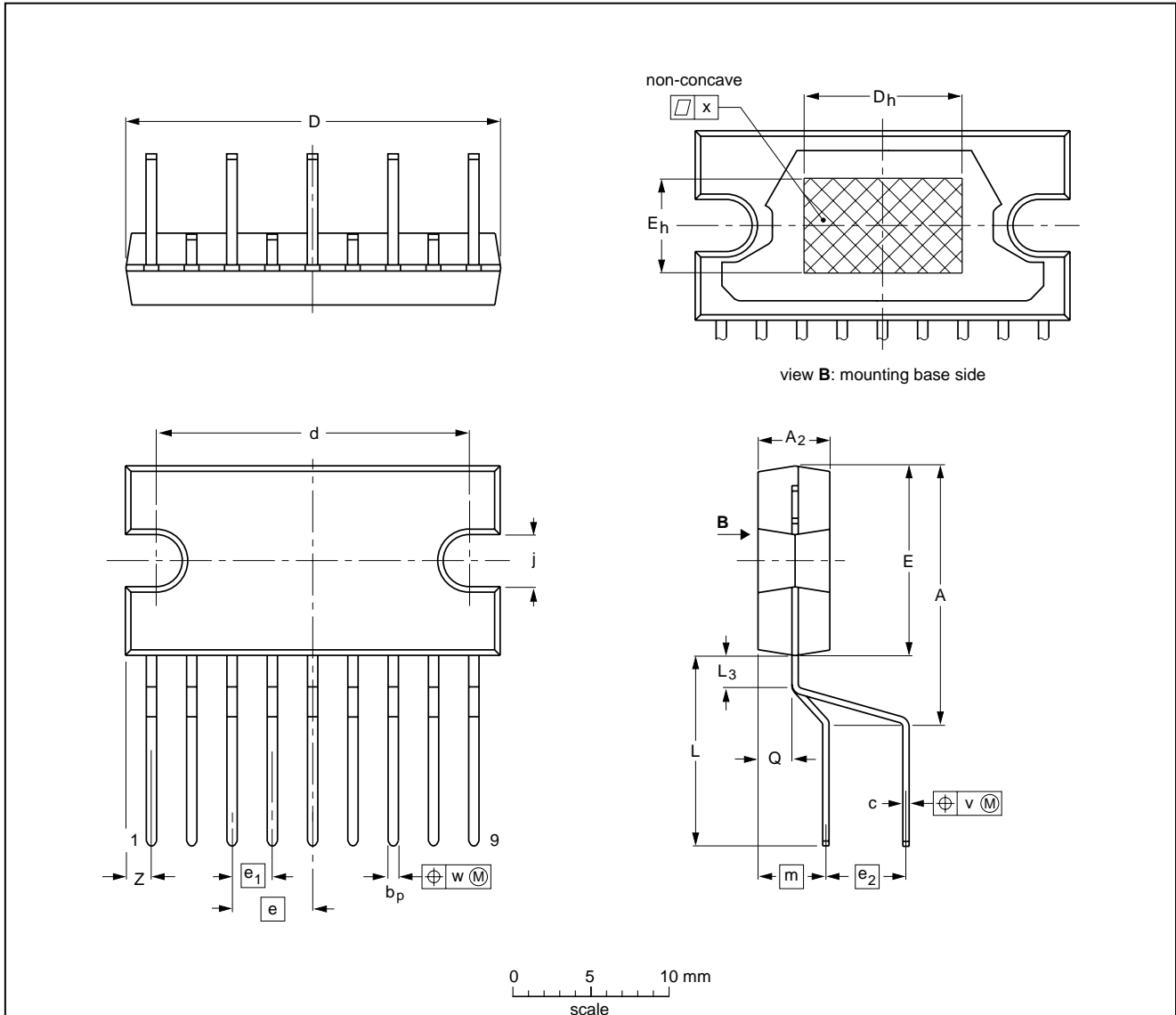
Multiple voltage regulator

TDA3617

PACKAGE OUTLINE

DBS9P: plastic DIL-bent-SIL power package; 9 leads (lead length 12 mm)

SOT157-2



DIMENSIONS (mm are the original dimensions)

UNIT	A	A ₂	b _p	c	D ⁽¹⁾	d	D _h	E ⁽¹⁾	e	e ₁	e ₂	E _h	j	L	L ₃	m	Q	v	w	x	Z ⁽¹⁾
mm	17.0 15.5	4.6 4.4	0.75 0.60	0.48 0.38	24.0 23.6	20.0 19.6	10	12.2 11.8	5.08	2.54	5.08	6	3.4 3.1	12.4 11.0	2.4 1.6	4.3	2.1 1.8	0.8	0.25	0.03	2.00 1.45

Note
1. Plastic or metal protrusions of 0.25 mm maximum per side are not included.

OUTLINE VERSION	REFERENCES				EUROPEAN PROJECTION	ISSUE DATE
	IEC	JEDEC	EIAJ			
SOT157-2						97-12-16 99-12-17

Multiple voltage regulator

TDA3617

SOLDERING**Introduction to soldering through-hole mount packages**

This text gives a brief insight to wave, dip and manual soldering. A more in-depth account of soldering ICs can be found in our *"Data Handbook IC26; Integrated Circuit Packages"* (document order number 9398 652 90011).

Wave soldering is the preferred method for mounting of through-hole mount IC packages on a printed-circuit board.

Soldering by dipping or by solder wave

The maximum permissible temperature of the solder is 260 °C; solder at this temperature must not be in contact with the joints for more than 5 seconds.

The total contact time of successive solder waves must not exceed 5 seconds.

The device may be mounted up to the seating plane, but the temperature of the plastic body must not exceed the specified maximum storage temperature ($T_{stg(max)}$). If the printed-circuit board has been pre-heated, forced cooling may be necessary immediately after soldering to keep the temperature within the permissible limit.

Manual soldering

Apply the soldering iron (24 V or less) to the lead(s) of the package, either below the seating plane or not more than 2 mm above it. If the temperature of the soldering iron bit is less than 300 °C it may remain in contact for up to 10 seconds. If the bit temperature is between 300 and 400 °C, contact may be up to 5 seconds.

Suitability of through-hole mount IC packages for dipping and wave soldering methods

PACKAGE	SOLDERING METHOD	
	DIPPING	WAVE
DBS, DIP, HDIP, SDIP, SIL	suitable	suitable ⁽¹⁾

Note

- For SDIP packages, the longitudinal axis must be parallel to the transport direction of the printed-circuit board.

Multiple voltage regulator

TDA3617

DATA SHEET STATUS

DATA SHEET STATUS ⁽¹⁾	PRODUCT STATUS ⁽²⁾	DEFINITIONS
Objective data	Development	This data sheet contains data from the objective specification for product development. Philips Semiconductors reserves the right to change the specification in any manner without notice.
Preliminary data	Qualification	This data sheet contains data from the preliminary specification. Supplementary data will be published at a later date. Philips Semiconductors reserves the right to change the specification without notice, in order to improve the design and supply the best possible product.
Product data	Production	This data sheet contains data from the product specification. Philips Semiconductors reserves the right to make changes at any time in order to improve the design, manufacturing and supply. Changes will be communicated according to the Customer Product/Process Change Notification (CPCN) procedure SNW-SQ-650A.

Notes

1. Please consult the most recently issued data sheet before initiating or completing a design.
2. The product status of the device(s) described in this data sheet may have changed since this data sheet was published. The latest information is available on the Internet at URL <http://www.semiconductors.philips.com>.

DEFINITIONS

Short-form specification — The data in a short-form specification is extracted from a full data sheet with the same type number and title. For detailed information see the relevant data sheet or data handbook.

Limiting values definition — Limiting values given are in accordance with the Absolute Maximum Rating System (IEC 60134). Stress above one or more of the limiting values may cause permanent damage to the device. These are stress ratings only and operation of the device at these or at any other conditions above those given in the Characteristics sections of the specification is not implied. Exposure to limiting values for extended periods may affect device reliability.

Application information — Applications that are described herein for any of these products are for illustrative purposes only. Philips Semiconductors make no representation or warranty that such applications will be suitable for the specified use without further testing or modification.

DISCLAIMERS

Life support applications — These products are not designed for use in life support appliances, devices, or systems where malfunction of these products can reasonably be expected to result in personal injury. Philips Semiconductors customers using or selling these products for use in such applications do so at their own risk and agree to fully indemnify Philips Semiconductors for any damages resulting from such application.

Right to make changes — Philips Semiconductors reserves the right to make changes, without notice, in the products, including circuits, standard cells, and/or software, described or contained herein in order to improve design and/or performance. Philips Semiconductors assumes no responsibility or liability for the use of any of these products, conveys no licence or title under any patent, copyright, or mask work right to these products, and makes no representations or warranties that these products are free from patent, copyright, or mask work right infringement, unless otherwise specified.

Multiple voltage regulator

TDA3617

NOTES

Multiple voltage regulator

TDA3617

NOTES

Philips Semiconductors – a worldwide company

Contact information

For additional information please visit <http://www.semiconductors.philips.com>. Fax: +31 40 27 24825

For sales offices addresses send e-mail to: sales.addresses@www.semiconductors.philips.com.

© Koninklijke Philips Electronics N.V. 2002

SCA74

All rights are reserved. Reproduction in whole or in part is prohibited without the prior written consent of the copyright owner.

The information presented in this document does not form part of any quotation or contract, is believed to be accurate and reliable and may be changed without notice. No liability will be accepted by the publisher for any consequence of its use. Publication thereof does not convey nor imply any license under patent- or other industrial or intellectual property rights.

Printed in The Netherlands

753503/04/pp16

Date of release: 2002 Sep 20

Document order number: 9397 750 10395

Let's make things better.

**Philips
Semiconductors**



PHILIPS